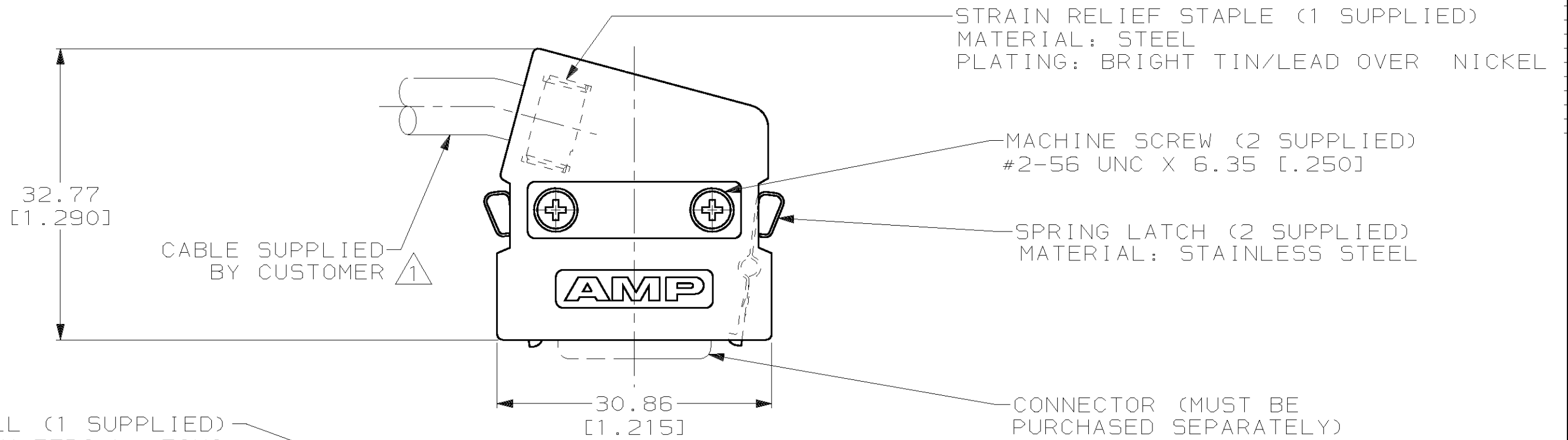
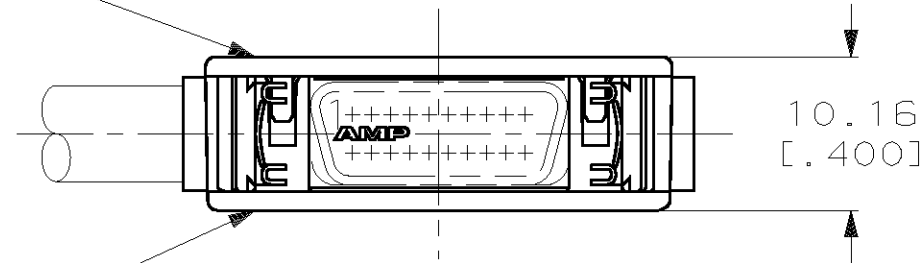


THIS DRAWING IS UNPUBLISHED. RELEASED FOR PUBLICATION, 19
 © COPYRIGHT 19 BY AMP INCORPORATED. ALL INTERNATIONAL RIGHTS RESERVED.

LOC	DIST	P	F	REVISIONS				
GP	00			ZONE	LTR	DESCRIPTION	DATE	APPD
					D	REVISED PER EC 0513-0401-04	11NOV04	JG



UPPER BACKSHELL (1 SUPPLIED)
 MATERIAL: ZINC
 PLATING: NICKEL OVER COPPER



LOWER BACKSHELL (1 SUPPLIED)
 MATERIAL: ZINC
 PLATING: NICKEL OVER COPPER

BULK - 150 PIECES	749199-2
INDIVIDUAL - 1 PIECE	749199-1
PACKAGING	PART NO

¹ 6.86 [.270] MAX CABLE DIA



DO NOT SCALE PRINT. UNLESS SPECIFIED DIMENSIONS IN mm [INCHES] TOLERANCES ON: 2 PLC DEC ± - 3 PLC DEC ± 0.38 [.015] ANGLES ± -	DR 12/20/88 M.E.SHIRK
	CHK 12/20/88 M.A.MCCAFFREY
	APPD 12/20/88 J.L.BROSHARD
	APPD 12/20/88 C.E.REYNOLDS
MATERIAL	-
FINISH	-
DR 12/20/88 M.E.SHIRK	AMP INCORPORATED Harrisburg, Pa. 17105
CHK 12/20/88 M.A.MCCAFFREY	NAME INDIVIDUAL KIT, UNASSEMBLED, 20 POSITION, 75° EXIT, UNKEYED, AMPLIMITE .050 Series
APPD 12/20/88 J.L.BROSHARD	SIZE B FSCM NO 00779 DRAWING NO 749199
APPD 12/20/88 C.E.REYNOLDS	SCALE 2:1 SHEET 1 OF 1
PRODUCT SPEC	-
APPLICATION SPEC	-
WEIGHT	-